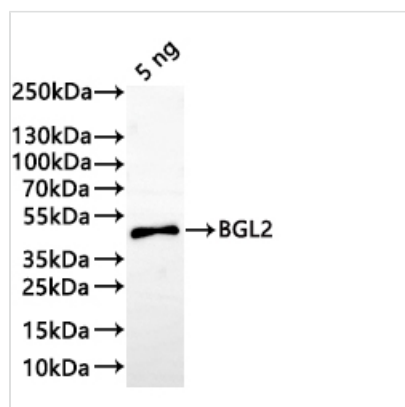




BGL2 Antibody

Product Code	CSB-PA322229XA01SVG
Storage	Upon receipt, store at -20°C or -80°C. Avoid repeated freeze.
Uniprot No.	P15703
Immunogen	Recombinant Saccharomyces cerevisiae (strain ATCC 204508 / S288c) (Baker's yeast) BGL2 protein (24-313aa)
Raised In	Rabbit
Species Reactivity	Saccharomyces cerevisiae (strain ATCC 204508 / S288c) (Baker's yeast)
Tested Applications	ELISA, WB; Recommended dilution: WB:1:500-1:5000
Form	Liquid
Conjugate	Non-conjugated
Storage Buffer	Preservative: 0.03% Proclin 300 Constituents: 50% Glycerol, 0.01M PBS, pH 7.4
Purification Method	Antigen Affinity Purified
Isotype	IgG
Clonality	Polyclonal
Product Type	Polyclonal Antibody
Immunogen Species	Saccharomyces cerevisiae (strain ATCC 204508 / S288c) (Baker's yeast)
Target Names	BGL2

Image



Western Blot

Positive WB detected in: recombinant protein

All lanes: BGL2 Antibody at 1:1000

Secondary

Goat polyclonal to rabbit IgG at 1/20000 dilution

Predicted band size: 38.6 kDa

Observed band size: 39 kDa

Usage

For Research Use Only. Not for use in diagnostic or therapeutic procedures.