



## Quantitative Rapid Test Strip

### Manual for Ochratoxin A (OTA) Rapid Test Strip

**1. Product Code:** WSK-GS19A-N

**2. Detection Range**

0-300ppb

**3. Product Composition**

Product Name	QTY
Quantitative Rapid Test Strip	8pcs/vial, 12 vials
Microwell	8pcs/vial, 12 vials
Sample Diluent	50mL × 2bottles
ID Card	1pcs
Manual	1pcs

**4. Required Reagent & Device**

Matched Devices that we can supply: Handheld Quantitative Analyzer; Incubator  
Non-Supplied: Absolute Ethyl Alcohol; Pipettor (20-200uL, 100-1000uL);  
Consumable Material: tips, centrifuge tube, 50mL graduated cylinder, timer etc.

**5. Preparation before Test**

1) Solution Preparation

40% Ethanol: Add 40mL absolute ethyl alcohol into 60mL pure water and mix well.

2) Product Preparation

Equilibrate appropriate Quantitative Rapid Strip and Sample Diluents at room temperature. If you do not need to use 8 microwells, put back the rest and cover and seal well.

3) Incubator Preparation

Set at 42°C and lay down cover. Then incubate at steady 42°C for 10mins at least.

4) Handheld Analyzer Preparation

Start Analyzer for 5mins; Make sure Card Deck is well set; Insert ID card into Analyzer.

**WUHAN HUAMEI BIOTECH Co., Ltd.**

Add: Wuhan Hi-tech Medical Devices Park, Building B11, #818 Gaoxin Road, Donghu  
Hi-Tech Development Area, Wuhan, Hubei Province, P.R.China 430206

Tel: +86-27-87582341 Fax: +86-27-87196150



## Quantitative Rapid Test Strip

### 6. Sample Preparation

- 6.1) Take 100g representative sample and then pulverize it and later pass through 20mesh sieve.
- 6.2) Take 5g screened sample into 50mL centrifuge tube. Add 25mL 40% methanol and then shake it rigorously for over five mins.
- 6.3) Centrifuge at 3500r/min for 5mins.
- 6.4) Take 950uL Sample Diluent then add 50uL supernatant. Mix Well.

P.S: If the test result beyond curve range, you would need to test sample again. Then you can dilute supernatant with 40% Methanol 2-3X fold. Then process step 6.4. Result=Test Result \*dilution times.

### 7. Key Notes

Do not use test strip, microwell and Sample Diluent from other batches.

Load too much or too little sample and it will influence result.

Do not touch test strip display area (T/C Line). Avoid direct sunlight or direct air flow from fan.

It is disposable. Do not use it again.

Please ask for replacement if you find product damaged or contaminated or expired useful life when you received product.

### 8. Test Procedure

- 1) Pull transverse baffle of Incubator to outermost position. Put required microwell on hole of incubator, and then put corresponding test strip on guide slot of incubator (please refer to Chart 1). (Better test  $\leq 4$  strips at one time)
- 2) Before adding the sample, turn the test solution upside down to mix well. Transfer 100uL test solution into microwell. (Extrude half solution into microwell, then repeat five times to mix well.) Lay down Incubator Cover for reaction for five mins.
- 3) Push transverse baffle to let test strip fall into microwell to start reaction.
- 4) Take out test strip after reaction of five mins. Discard sample pad.
- 5) Place the color development area of the test strip upward, the end of the sample pad facing in, and then the coloration end is facing outward, and insert test strip into card deck. Click "Quick Test" and get result.
- 6) After finishing test, put the unused test strips and microwells back to vials and ensure they are well-sealed. Fasten the bottle of the remaining sample diluent and put it back into the kit, and store at 2-8°C.

#### WUHAN HUAMEI BIOTECH Co., Ltd.

Add: Wuhan Hi-tech Medical Devices Park, Building B11, #818 Gaoxin Road, Donghu  
Hi-Tech Development Area, Wuhan, Hubei Province, P.R.China 430206

Tel: +86-27-87582341 Fax: +86-27-87196150



## Quantitative Rapid Test Strip

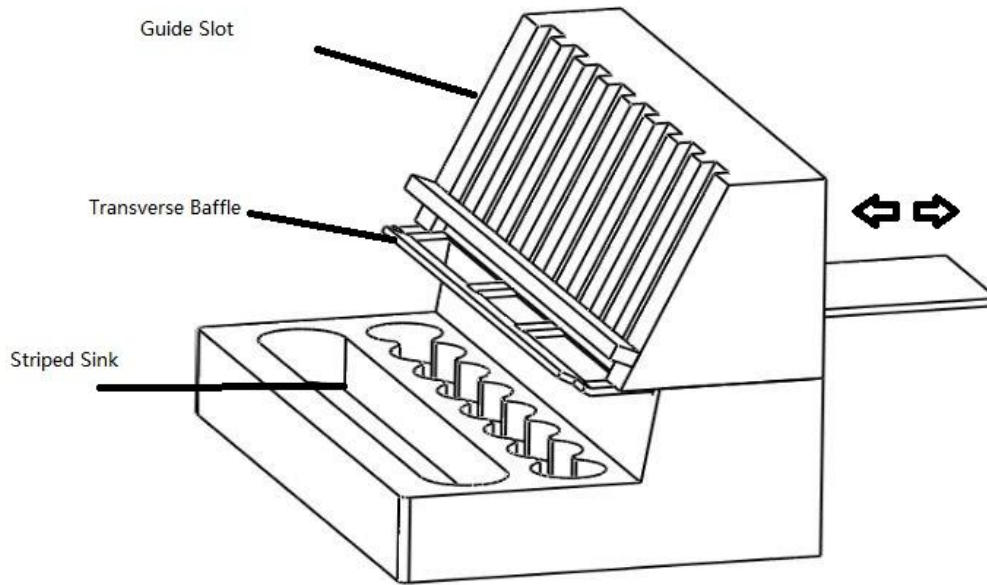


Chart 1: Incubator

### 9. Introduction

This product is widely used for on-site test on a large scale, because it is convenient to use, rapid to get result and high sensitivity. Antigen is fixed on nitrocellulose membrane test area, which is called T. Secondary antibody is fixed on control area, which is named C. Antibody conjugated with gold nanoparticles is fixed in microwell. You can get quantitative detection result by using it with handheld quantitative analyzer.

### 10. Application

It is suitable to detect OTA in some feed and feedstuff.

### 11. Storage and Expiry Date

Store at 2-8°C.

Expiry Date is one year.

Manufacture Date refers to information on package.

#### WUHAN HUAMEI BIOTECH Co., Ltd.

Add: Wuhan Hi-tech Medical Devices Park, Building B11, #818 Gaoxin Road, Donghu  
Hi-Tech Development Area, Wuhan, Hubei Province, P.R.China 430206

Tel: +86-27-87582341 Fax: +86-27-87196150